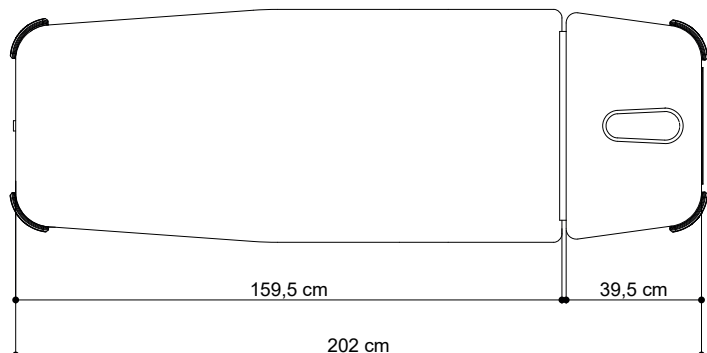
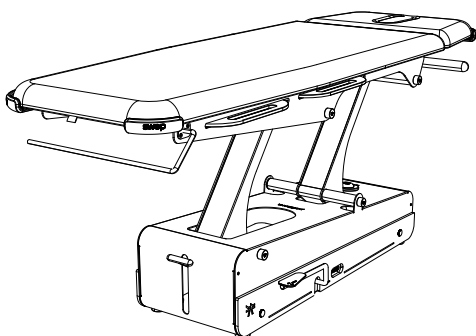
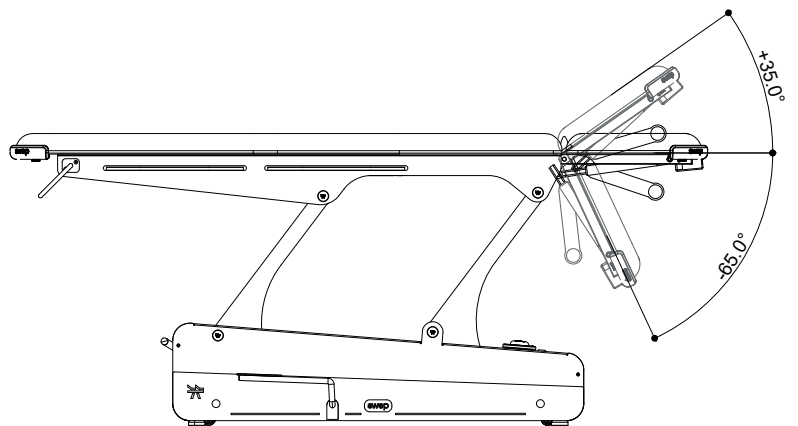
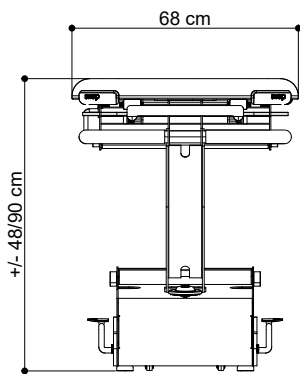




Dimensions





General Specifications

HYDRAULIC PUMP
1 Hydraulic pump height

FRAME COLOUR
Space ball is RAL 7015
Base Frame is RAL 7047

DIMENSIONS (LENGTH X WIDTH)
202 x 68 cm

INSULATION CLASS
Reinforced insulation II

HEIGHT (MIN. AND MAX.)
48/90 cm

PRODUCT CLASSIFICATION
Class I Equipment

WEIGHT
96 kg

APPLIED PARTS
Type B

LIFTING CAPACITY
200 kg

MOISTURE RESISTENCE
IPx0

BATTERY
Battery for the Led light
13 hours working
8 hours charging 100%

Operation

Head section with 2 gas springs. Handlebar

Hydraulic lever, easy access from all sides of the table.

4 wheels turning 360°. Fully integrated system underneath the base frame. 1 Central lever.

Upholstery

Thickness: 5cm
Density: 40kg/m³
Breathing hole and plug.
Seamless upholstery with round edges.
Naggura Skin upholstery: 100% vinyl compound.
Protection against germs and UV rays.
Superior abrasion resistance: >250K cycles.
Flame retardancy: NF P 92-503/M1
Colour: Graphite

Warranty and conformity

WARRANTY
2 years on table and upholstery

CONFORMITY
EN ISO 14971: 2019, EN ISO 20417:2021,
EN ISO 15223-1: 2016, ISO 10993-1: 2018,
EN ISO 10993-5: 2009, EN ISO 10993-10: 2013,
EN ISO 13485:2016,
EN 60601-2-52:2010+ AC:2011+A1:2015,
EN 60601-1-2:2015+ A1:2020,
EN 60601-1:2006+ A1:2013+AC:2014+A12:2014 +A2:2020

Collections



Nordic
METAL



Yellow



Blue



Pink

Foll
METAL



Ash



Clay

Iron
METAL



Inox



Black

Om
WOOD



Oak



Wenge

Techno
PMMA



Fluor



Fuxia



Ice

Customized
PMMA



We can customize your panel for your center

Accessories

Paper roll holder



Bed Covers



Accessories included in the concept school

Full protection



Naggura Desks

